



BIZOL is a German manufacturer of engine oils, fuel and oil additives, service products. BIZOL was established in 1998 in Berlin Germany. We maintain the outstanding quality standards of German car manufacturers.

Our mission reflects our aim to provide products and solutions for workshops which enable them to carry out cost effective, easy and fast repairs.



DIESEL

POWER BOOST



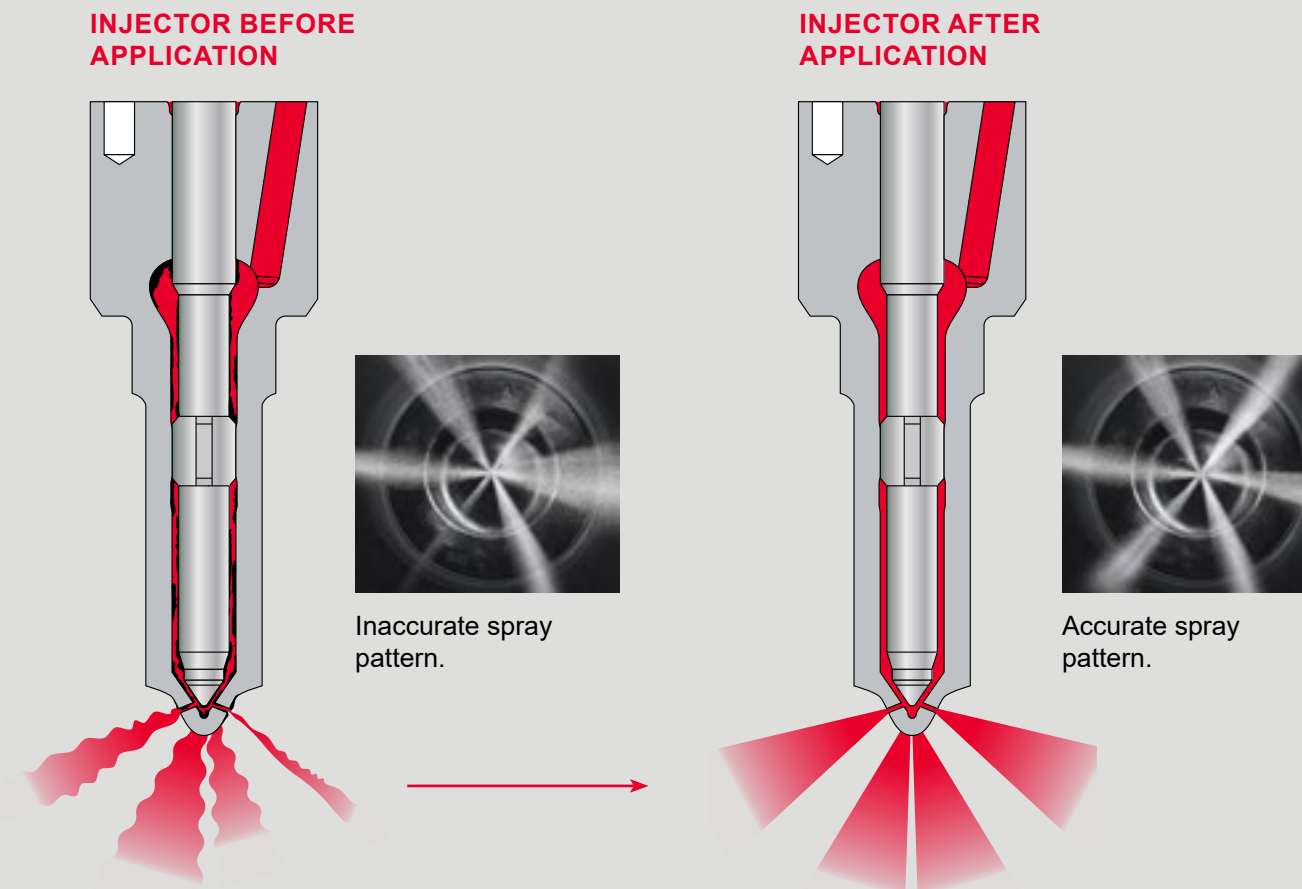
Did you know that clean injectors are essential for the performance of your car?

Fuel injectors clog when deposits build up. If injectors are clogged, your engine will not get the right amount of fuel it needs.

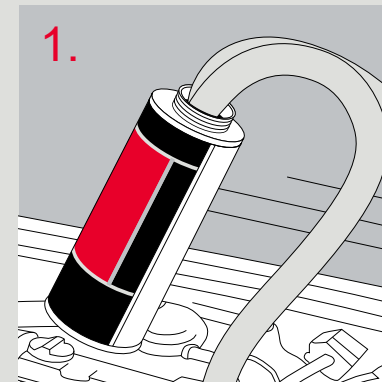
You may not feel it but the modern board computers in your car can adjust to the fuel injectors that are not providing enough fuel for the air/ fuel mixture. Still the performance of your diesel engine decreases.

Ultimately, you want to ensure the right amount of fuel injected for maximum engine performance.

Use **BIZOL Diesel Power Boost** with specially developed Deposit Control Additives (DCA) to remove deposits and ensure the accurate injection. Restore your diesel engine performance!

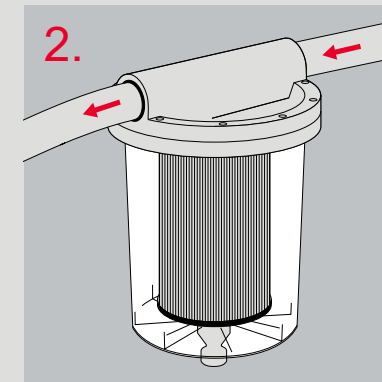


BIZOL Diesel Power Boost can be used in several ways:



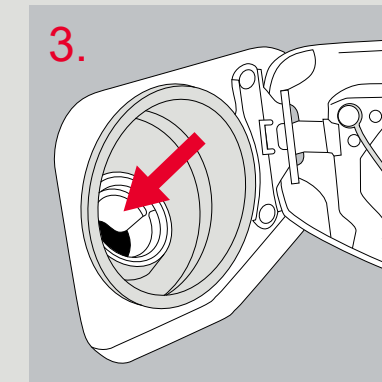
DIRECTLY VIA FUEL LINE

Disconnect the fuel supply and return lines and insert them into the system cleaner can. Start the engine and run it at different speeds for approximately 20 minutes. Switch off the engine before the can is empty, reconnect the fuel lines and check for leaks.



WITH THE FUEL FILTER

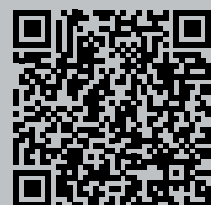
At each service, fill the fuel filter housing with the additive and pour the rest of the contents of the can into the fuel tank.



POUR INTO THE FUEL TANK

Pour into the fuel tank at each service, ensuring that the tank is at least 1/3 full — one 500 ml can is sufficient for up to 70 litres of fuel.

Art. № 98015
0,5L



BIZOL main goal is to help independent workshops to build and defend their competitive position.

BIZOL product range is also aimed at technically conscious drivers who want to keep their vehicles in good condition.



A few products from BIZOL product portfolio:



BIZOL
Gasoline System Clean+
g80

Art. № 98880 0,25 L

- fuel additive with excellent cleaning properties. Effectively cleans the entire fuel system, especially injectors and valve seats. Protects the catalytic converter and prevents corrosion.
- suitable for all petrol engines including those equipped with a catalytic converter and turbocharger.
- regular application leads to lower fuel consumption and improves engine running culture.

How to use: A 250 ml can is efficient for up to 70 litres of gasoline fuel. Just pour it in the fuel tank before filling, it is self-mixing. For preventive maintenance use every 3rd tank filling. In countries with low fuel quality recommended for continuous use.



BIZOL
Oil System Clean+
o90

Art. № 98883 0,25 L

- intensively cleans the entire oil system
- effectively prevents the formation of new contaminants
- dissolves oil sludge, dirt and deposits in the crankcase, oil channels and all parts of the oil system
- frees piston rings from carbon deposits and ensures proper lubrication of hydraulic valve lifters
- suitable for use in both diesel and petrol engines. It is compatible with all commercially available engine oils
- it is recommended to clean the engine before each oil change.

How to use: A 250 ml can is efficient for up to 5 litres of engine oil. Add to used motor oil at operating temperature before changing the oil. After adding the product, allow the engine to idle for approx. 10-15 minutes. Then change the oil and the filter. Compatible with all commercially available engine oils. Not suitable for motorcycles with wet clutches.

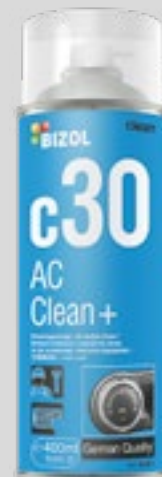


BIZOL
Friction Modifier+
o94

Art. № 8102 0,25 L

- oil additive based on advanced Nano-technology.
- reduces friction and consequent excessive wear of engine parts
- forms a strong oil film on metal surfaces and allows effective lubrication during prolonged frictional work
- BIZOL Friction Modifier+ o94 is TÜV certified
- prolongs the service life of engines with start & stop systems.

How to use: A 250 ml pack is suitable for 7,5 l of engine oil. For higher effectiveness it is recommended to flush the oil system with BIZOL+ o90 beforehand. Add the contents to warm engine oil after an oil change. It is compatible with all commercially available engine oils. The additive is active up to 50,000 km. Note: Do not use in a system with a wet clutch.



BIZOL
AC Clean+
c30

Art. № 90001 0,4 L

BIZOL AC Clean+ c30 effectively cleans the home and vehicle air conditioning systems. It has a fresh and subtle orange scent as well as a long lasting smell protection. We recommend cleaning the air conditioning system every 6 months. Special adapter enclosed.

How to use: The aerosol should have room temperature. Best processing temperature 5 to 30°C. Before use, shake the aerosol. Before treatment, switch off the engine and the electrical installations. Apply the foam to the condenser of the air conditioning by means of the enclosed adapter. Insert the adapter about 30 centimetres into the air inlet of the air conditioning and completely empty the can. The location of the air inlet differs per brand. After applying, do not switch on the engine or the electrical installation.

B_effective

